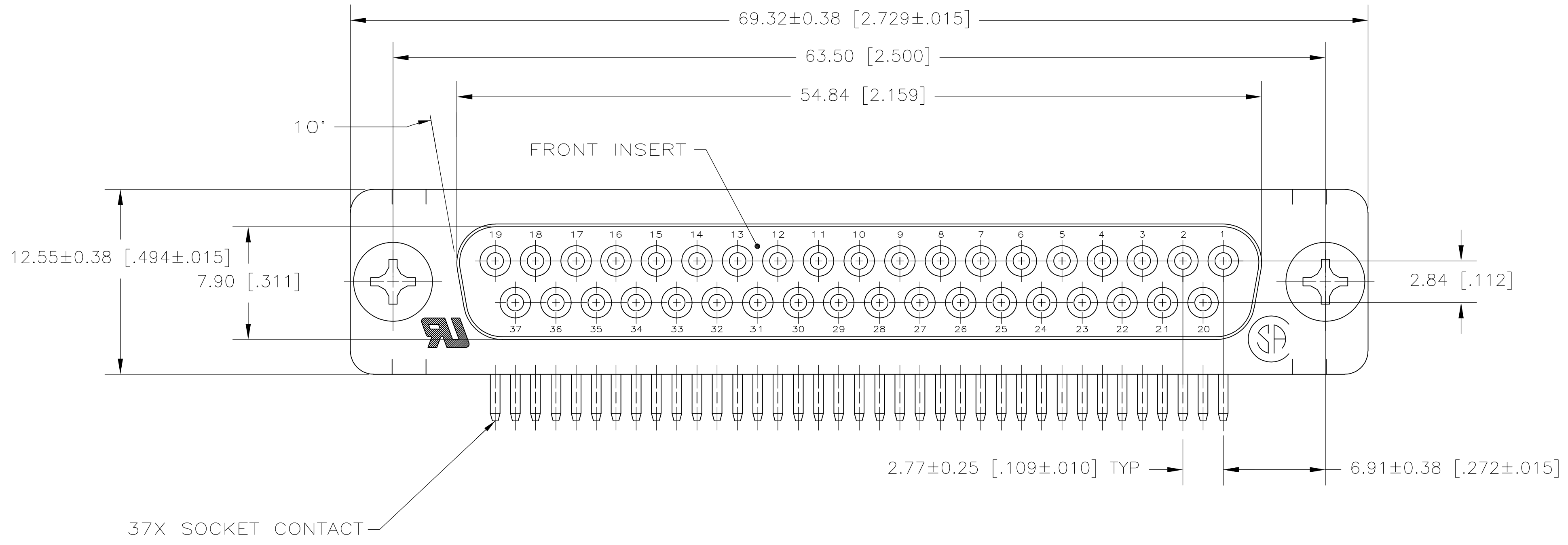
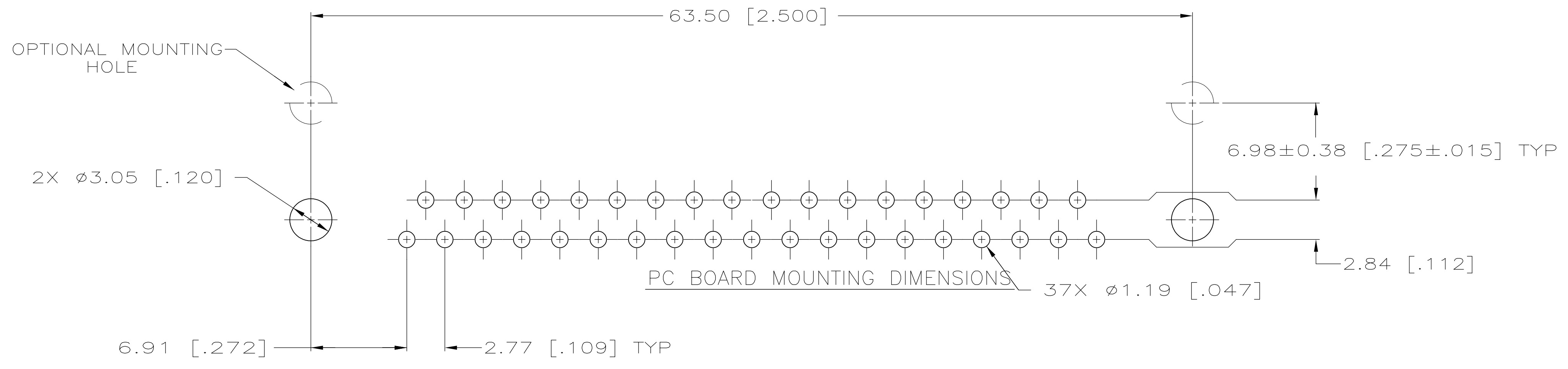
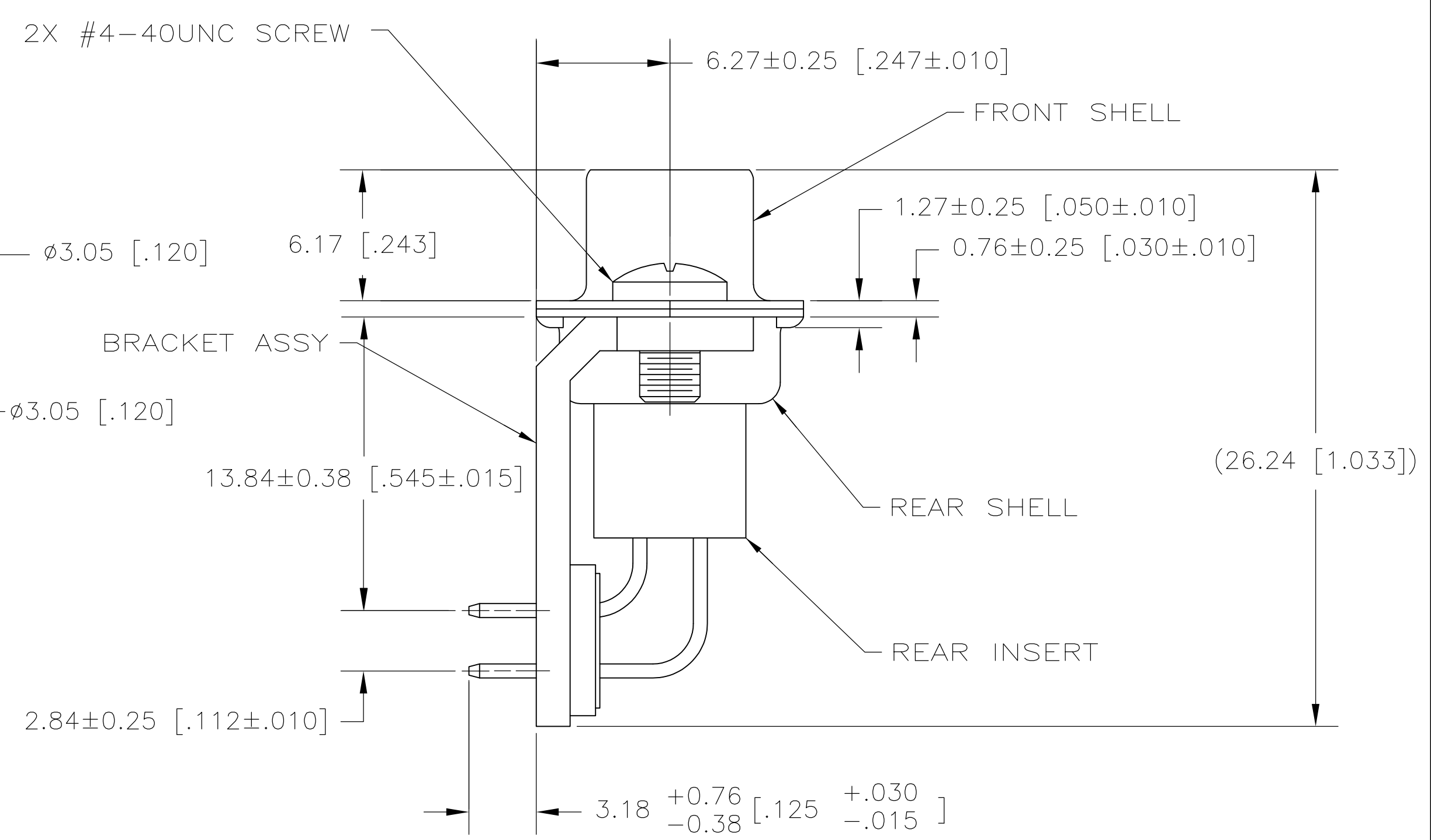
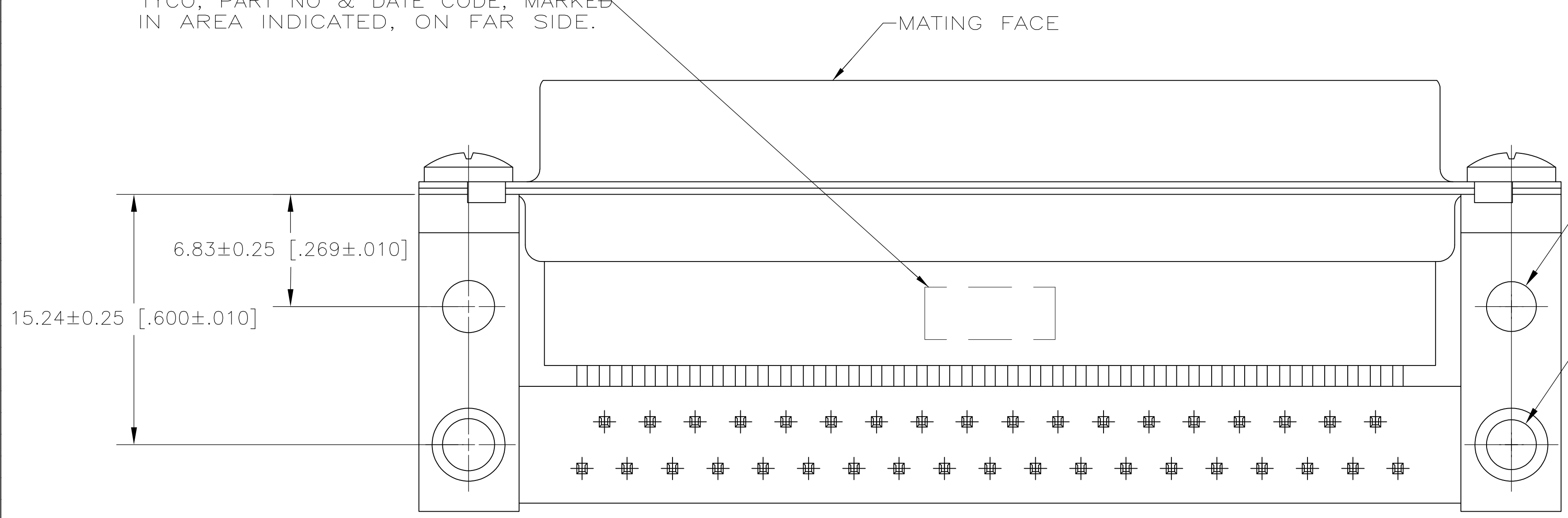


LOC		DIST		REVISIONS			
GP	00	REV	DATE	BY	APP	REV	DATE
B		REVISED PER ECO-14-011808	11AUG2014	AP	SB		



- ⚠ MOLDED PARTS: GLASS-FILLED PBT OR GLASS-FILLED NYLON, UL94V-0 RATED. COLOR: BLACK.
- ⚠ SHELLS & BRACKETS: CARBON STEEL.
- ⚠ CONTACTS: PHOS BRONZE.
- ⚠ SHELLS & BRACKETS: ZINC PLATED YELLOW CHROMATE COATING.
- ⚠ CONTACTS: GOLD FLASH FOR A LENGTH OF 2.54 [0.100] FROM MATING END, 2.54 m [0.00100] MIN. TIN ON SOLDER END, 1.27 μm [0.00050] MIN. NICKEL ALL OVER.

TYCO, PART NO & DATE CODE, MARKED IN AREA INDICATED, ON FAR SIDE.



5205860-1
PART NUMBER

THIS DRAWING IS A CONTROLLED DOCUMENT. DIMENSIONING AND TOLERANCING PER ASME Y14.5M-2009		DWG: G. PETERS 14OCT05	CHK: S. BOLASH 14OCT05	APPR: M. WALMSLEY 14OCT05	NAME: RECEPTACLE ASSY, SIZE 4, 37 POS. RIGHT ANGLE, .545 SERIES, AMPLIMITE HDP
DIMENSIONS: mm [INCHES]	TOLERANCES UNLESS OTHERWISE SPECIFIED:	0. PLC ± -	1. PLC ± -	2. PLC ± -.13[.005]	3. PLC ± -
		4. PLC ± -	ANGLES ± -	PRODUCT SPEC: 108-40025	APPLICATION SPEC: 114-40013
MATERIAL: 1	FINISH: 2	WEIGHT: -	SIZE: A1	CAGE CODE: 00779	DRAWING NO: 5205860
CUSTOMER DRAWING		SCALE: 4:1	SHEET: 1 OF 1	REV: B	RESTRICTED TO: -